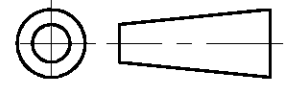


DO NOT SCALE
DIMENSIONS IN mm

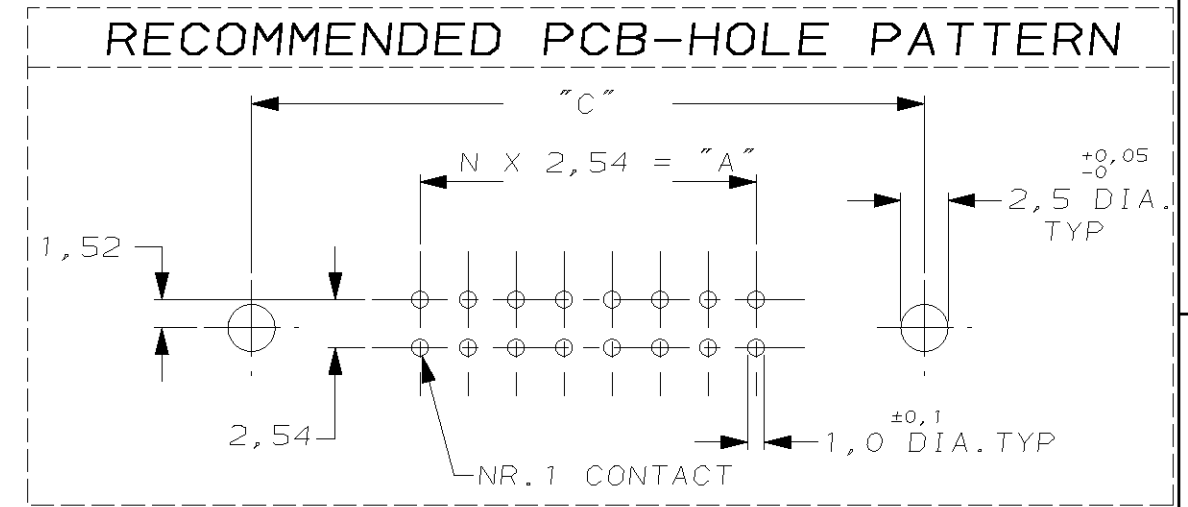
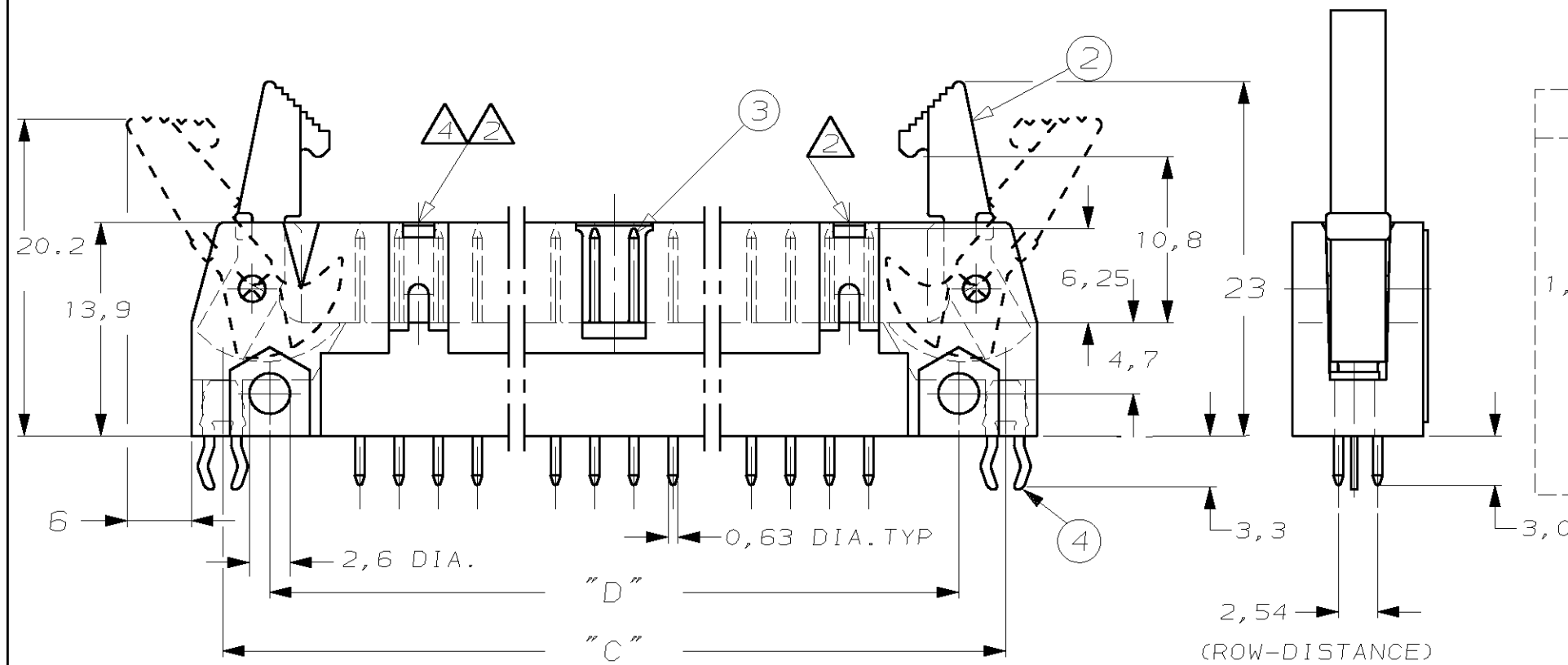
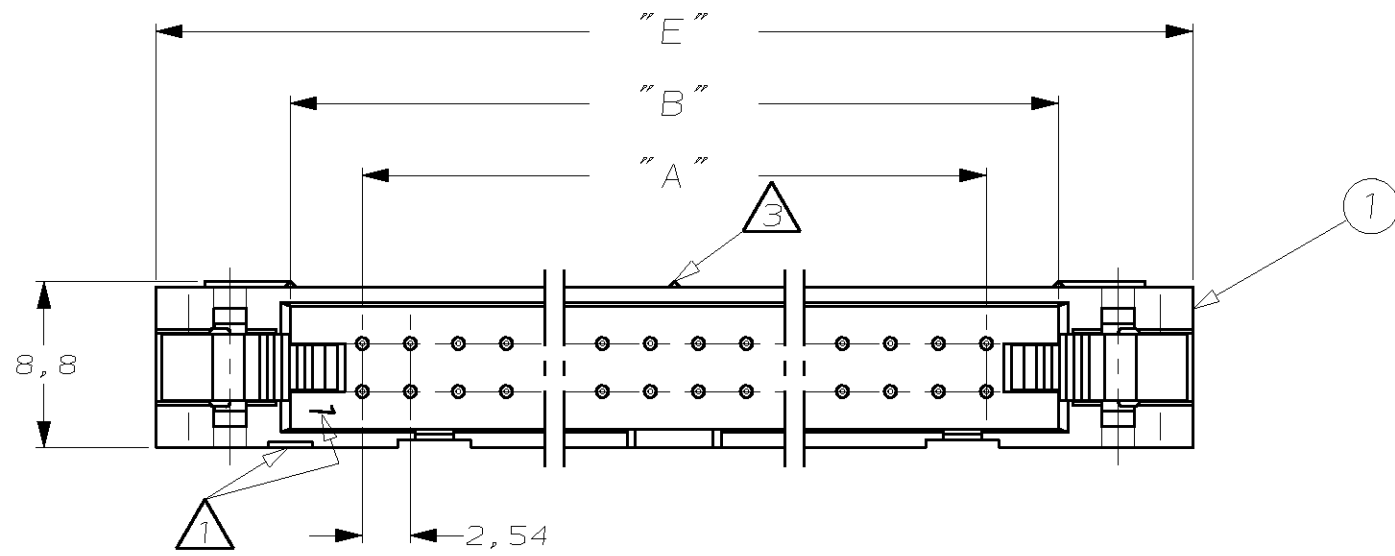
METRIC

THIRD ANGLE
PROJECTION



NOTES:

- ① INDICATION OF FIRST POSITION.
- ② SNAP-IN POLARIZERS PN. 927636-2 OR 927637-2 CAN BE APPLIED HERE.
- ③ THERE IS NO CENTER STAND-OFF IN 10-26 POS. HEADERS.
- ④ THERE IS NO WINDOW FOR SNAP-IN POLARIZERS AT THIS END IN 10 AND 14 POS. HEADERS.



④ BOARD LOCK FOR AMP-LATCH PIN HEADER	BRONZE	5-10µm TIN OVER
③ PIN-CONTACT	BRASS	MATING SIDE: 0,8µm AU OR 0,8µm AMP DURAGOLD® / OVER 1,27µm NI SOLDER SIDE: MIN. 3,0µm SN OVER 1,27µm NI
② LATCH	GLASSFILLED POLYESTER	GREY
① HOUSING	GLASSFILLED POLYESTER	GREY

DIM. "E"	DIM. "D"	DIM. "C"	DIM. "B"	DIM. "A"	NR. OF POSITIONS	PARTNUMBER
100,6	90,4	96,5	86,4	78,7	64	6-216869-4
95,5	85,3	91,4	81,3	73,7	60	6-216869-0
82,8	72,6	78,7	68,6	61,0	50	5-216869-0
70,1	59,9	66,0	55,9	48,3	40	4-216869-0
62,5	52,3	58,4	48,3	40,6	34	3-216869-4
52,3	42,2	48,3	38,1	30,5	26	2-216869-6
44,7	34,5	40,6	30,5	22,9	20	2-216869-0
39,6	29,5	35,6	25,4	17,8	16	1-216869-6
37,1	26,9	33,0	22,9	15,2	14	1-216869-4
32,0	21,8	27,9	17,8	10,2	10	1-216869-0

COMPONENT NAME				MATERIAL		PLATING / COLOUR	
CUSTOMER DRAWING				FOR REFERENCE ONLY WILL NOT BE UPDATED			
© COPYRIGHT 19- BY AMP HOLLAND B.V.				ALL INTERNATIONAL RIGHTS RESERVED. AMP PRODUCTS MAY BE COVERED BY U.S. AND FOREIGN AND/OR PATENTS PENDING.			
THIS DRAWING IS UNPUBLISHED				RELEASED FOR PUBLICATION - ,19 -			
B1 PLATING DURAGOLD OR GOLD ALTERNATIVELY USABLE		MAH.	STRE.	16-JUN-03	AMP HOLLAND B.V. 's-Hertogenbosch, The Netherlands.		
B EG-0189-97		R.B.	U.LAV.	17FEB97	NAME		
A EH-0840-93		JvL	RV	29-11-93	AMP-LATCH EJECTION-STYLE PIN HEADER STRAIGHT		
LTR. REVISION RECORD		DR.	CHK.	DATE	VERSION WITH LATCHES AND BOARD LOCK DEVICE		
DR.:	R.HOGEVEEN	CHK.:	R.VERSTIJNEN	APP.:	L.V.50E5T	DWG.No.	C-216869
DATE:	10-01-90	DATE:	11-01-90	DATE:	22-01-90	LOC.	AI A3
						SHEET	1 OF 1
						REV.LTR.	B1